



320W Single Output with PFC Function

RSP-320 series

Dimension

L	*	W	*	H	
215	*	115	*	30	mm
8.46	*	4.53	*	1.18	inch



■ Features

- Universal AC input / Full range
- Built-in active PFC function
- High efficiency up to 90%
- Forced air cooling by built-in DC Fan with fan speed control function
- Protections: Short circuit / Overload / Over voltage / Over temperature
- Optional conformal coating
- LED indicator for power on
- 3 years warranty

■ Applications

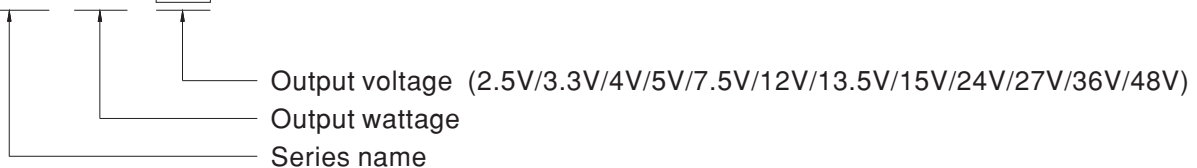
- Factory control or automation apparatus
- Test and measurement instrument
- Laser related machine
- Burn-in facility
- RF application

■ Description

RSP-320 is a 320W single output enclosed type AC/DC power supply. This series operates for 88~264VAC input voltage and offers the models with the DC output mostly demanded from the industry. Each model is cooled by the built-in fan with fan speed control, working for the temperature up to 70°C.

■ Model Encoding / Order Information

RSP - 320 - 24





320W Single Output with PFC Function

**RSP-320** series

---

**SPECIFICATION**

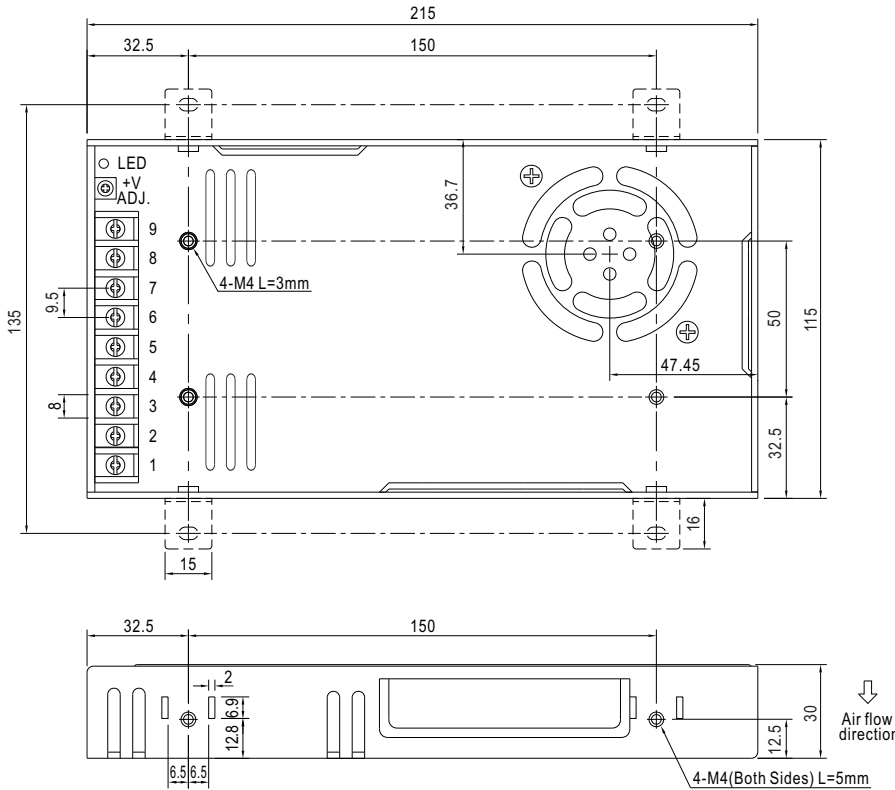


**SPECIFICATION**

<b>MODEL</b>				<b>RSP-320-24</b>			
<b>OUTPUT</b>	<b>DC VOLTAGE</b>			24V			
	<b>RATED CURRENT</b>			13.4A			
	<b>CURRENT RANGE</b>			0 ~ 13.4A			
	<b>RATED POWER</b>			321.6W			
	<b>RIPPLE &amp; NOISE (max.)</b> Note.2			150mVp-p			
	<b>VOLTAGE ADJ. RANGE</b>			20 ~ 26.4V			
	<b>VOLTAGE TOLERANCE</b> Note.3			±1.0%			
	<b>LINE REGULATION</b>			±0.2%			
	<b>LOAD REGULATION</b>			±0.5%			
	<b>SETUP, RISE TIME</b>	1500ms, 50ms/230VAC		3000ms, 50ms/115VAC at full load			
<b>HOLD UP TIME (Typ.)</b>	8ms at full load		230VAC /115VAC				
<b>INPUT</b>	<b>VOLTAGE RANGE</b> Note.4	88 ~ 264VAC		124 ~ 370VDC			
	<b>FREQUENCY RANGE</b>	47 ~ 63Hz					
	<b>POWER FACTOR (Typ.)</b>	PF>0.95/230VAC		PF>0.98/115VAC at full load			
	<b>EFFICIENCY (Typ.)</b>	88%	88.5%	89%	89%	89.5%	90%
	<b>AC CURRENT (Typ.)</b>	4A/115VAC		2A/230VAC			
	<b>INRUSH CURRENT (Typ.)</b>	20A/115VAC		40A/230VAC			
	<b>LEAKAGE CURRENT</b>	<1mA / 240VAC					
<b>PROTECTION</b>	<b>OVERLOAD</b>	105 ~ 135% rated output power		Protection type : Hiccup mode, recovers automatically after fault condition is removed			
	<b>OVER VOLTAGE</b>	15.7 ~ 18.4V	18.8 ~ 21.8V	27.6 ~ 32.4V	32.9 ~ 38.3V	41.4 ~ 48.6V	58.4 ~ 68V
	<b>OVER TEMPERATURE</b>	Shut down o/p voltage, recovers automatically after temperature goes down		Protection type : Shut down o/p voltage, re-power on to recover			
<b>ENVIRONMENT</b>	<b>WORKING TEMP.</b>	-30 ~ +70°C (Refer to "Derating Curve")					
	<b>WORKING HUMIDITY</b>	20 ~ 90% RH non-condensing					
	<b>STORAGE TEMP., HUMIDITY</b>	-40 ~ +85°C, 10 ~ 95% RH					
	<b>TEMP. COEFFICIENT</b>	±0.03%/°C (0 ~ 50°C)					
	<b>VIBRATION</b>	10 ~ 500Hz, 2G 10min./1cycle, 60min. each along X, Y, Z axes					
<b>SAFETY &amp; EMC (Note 5)</b>	<b>SAFETY STANDARDS</b>	UL62368-1, TUV EN62368-1, EAC TP TC 004, CCC GB4943.1, BSMI CNS14336-1, AS/NZS 60950.1 approved					
	<b>WITHSTAND VOLTAGE</b>	I/P-O/P:3KVAC I/P-FG:2KVAC O/P-FG:0.5KVAC					
	<b>ISOLATION RESISTANCE</b>	I/P-O/P, I/P-FG, O/P-FG:100M Ohms / 500VDC / 25°C / 70% RH					
	<b>EMC EMISSION</b>	Compliance to EN55032 (CISPR32) Class B, EN61000-3-2,-3, EAC TP TC 020, CNS13438, GB9254 Class B, GB17625.1					
	<b>EMC IMMUNITY</b>	Compliance to EN61000-4-2,3,4,5,6,8,11, EN55024, light industry level, criteria A, EAC TP TC 020					
<b>OTHERS</b>	<b>MTBF</b>	206.5K hrs min. MIL-HDBK-217F (25°C)					
	<b>DIMENSION</b>	215*115*30mm (L*W*H)					
	<b>PACKING</b>	0.9Kg; 15pcs/14.5Kg/0.67CUFT					
<b>NOTE</b>	<p>1. All parameters NOT specially mentioned are measured at 230VAC input, rated load and 25°C of ambient temperature.</p> <p>2. Ripple &amp; noise are measured at 20MHz of bandwidth by using a 12" twisted pair-wire terminated with a 0.1uf &amp; 47uf parallel capacitor.</p> <p>3. Tolerance : includes set up tolerance, line regulation and load regulation.</p> <p>4. Derating may be needed under low input voltages. Please check the derating curve for more details.</p> <p>5. The power supply is considered a component which will be installed into a final equipment. The final equipment must be re-confirmed that it still meets EMC directives. For guidance on how to perform these EMC tests, please refer to "EMI testing of component power supplies." (as available on <a href="http://www.meanwell.com">http://www.meanwell.com</a>)</p> <p>6. For charging related applications, please consult Mean Well for details.</p> <p>7. Strongly recommended that external output capacitance should not exceed 5000uF. (Only for: RSP-320-2.5/-3.3/-4/-5/-7.5/-12/-13.5/-15)</p> <p>8. The ambient temperature derating of 3.5°C/1000m with fanless models and of 5°C/1000m with fan models for operating altitude higher than 2000m(6500ft).</p> <p>※ Product Liability Disclaimer : For detailed information, please refer to <a href="https://www.meanwell.com/serviceDisclaimer.aspx">https://www.meanwell.com/serviceDisclaimer.aspx</a></p>						

**Mechanical Specification**

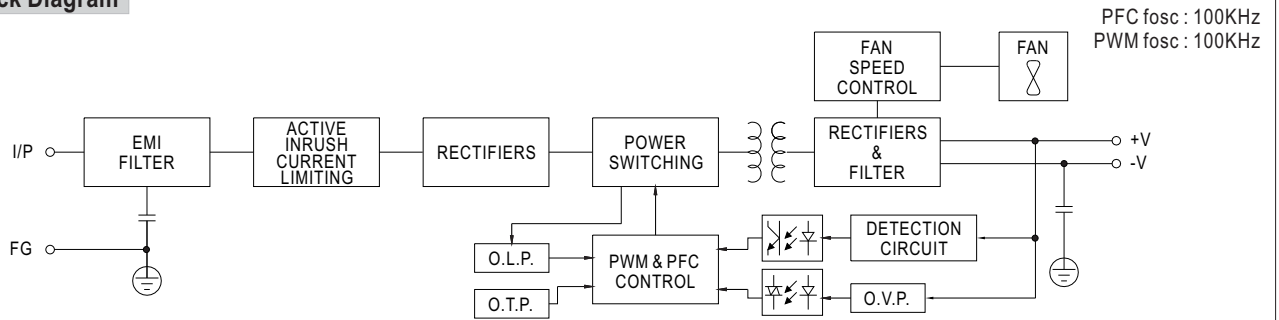
Case No.207A Unit:mm



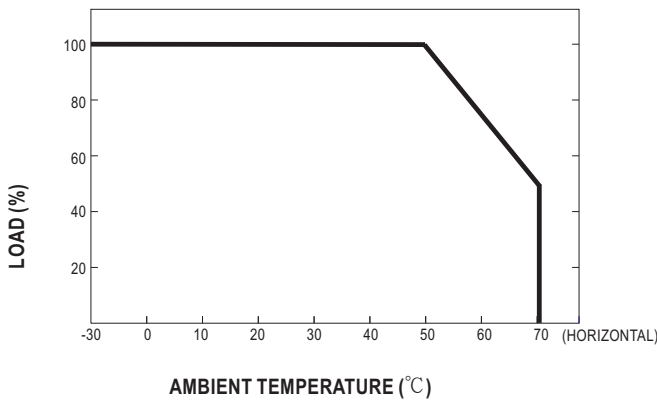
Terminal Pin No. Assignment :

Pin No.	Assignment	Pin No.	Assignment
1	AC/L	4~6	DC OUTPUT -V
2	AC/N	7~9	DC OUTPUT +V
3	FG $\perp$		

**Block Diagram**



**Derating Curve**



**Static Characteristics**

